



YOUR FREEDOM
simplified

HARMONIE

EL-103V2

Harmonie is a high-end indoor vertical-trajectory elevator platform suitable for people with reduced mobility, customized to the user's needs. Configured and coated according to your taste! For a person standing or in a wheel chair, with or without an attendant, it has its place in commercial, institutional or private facilities.

Reliable and with low maintenance cost, this elevator is a user's trustworthy choice, whether in rental buildings or private homes.

Harmonie is available in two versions:

- Harmonie DC is battery operated, allowing full autonomy in case of power failure.
- Harmonie AC compares closely to a residential elevator and operates on the electrical current of your building.

See technical details on the back.



info@elevabec.com | www.elevabec.com | 1 800 311-9977 | 450 773-9977

6555 Choquette Avenue, Saint-Hyacinthe (Québec) J2S 8L2

This device is in accordance with the CAN/CSA-B613-00 and CAN/CSA-B355-09. Québec product.

RBQ : 8277-1106-03

HARMONIE

EL-103V2

ADVANTAGES:

- Custom design
- Complete plans and specifications
- Sturdy and efficient
- Moves smoothly
- Takes little space
- Low maintenance cost



Elevator rails on a wooden wall with Gypsum finish



Remote control in the cabin



24V mechanism inside the elevator shaft

This Québec product is regularly recommended by architects and general contractors. Harmonie has proven its worth in terms of quality, efficiency and durability while complying to your aesthetical criteria and harmonizing with the decor. This is why Harmonie is present in public settings such as libraries, schools, condos, sport centers, nursing homes, etc.

Device type	Elevator platform suited for people with reduced mobility Residential / Commercial
# Model	EL-103V2 (AC version or Batteries 24V0DC)
Commercial name	Harmonie

MAIN SPECIFICATIONS

Applicable norms	CSA-B355-09/Commercial CSA-B613-00/Single family home
Course / Trajectory	Commercial: Maximum 23' (7 m) Single Family: Maximum 45' (13.5 m) **Calculated from the lower floor to the top floor**
Capacity / Rated load	Standard: 750 lb (340 kg) **Option: 1000 lb (453 kg) **Option: 1400 lb (635 kg)

CABIN

Cabin dimensions	Maximal area: 3100"² (2 M²) Many dimensions available according to needs and available space. Length: Minimum 48" (1220 mm) / Maximum 88" (2235 mm) Width: Minimum 32" (813 mm) / Maximum 48" (1220 mm) Popular sizes: 36" X 60" (915 mm X 1524 mm) 36" X 84" (915 mm X 2133 mm) 42" X 60" (1067 mm X 1524 mm)
Cabin height	Standard: 80" (2032 mm) **Option: 96" (2438 mm)
Cabin panel walls	Melamine: 16 mm wood particles panels **Choice of available colours** Options: laminate, stainless steel, mirror, glass inserts. **Special requests are possible.**
Handrails	Anodized aluminium with black rubber non-slip inserts or flat stainless-steel bar

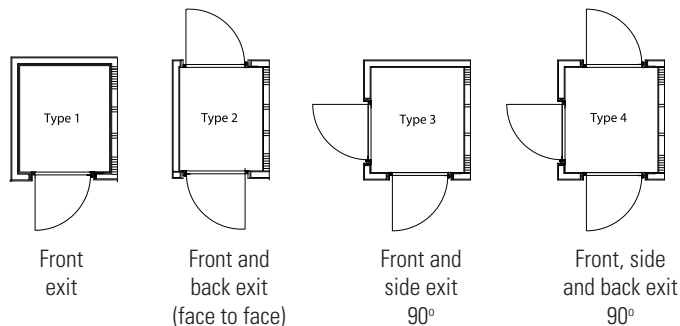


Elevator shaft on concrete wall

Typical fireproof door

Adjacent mechanical room

POSSIBLE CONFIGURATIONS :



CONTROL BUTTONS

Control panel and push buttons

IN-CABIN CONTROL PANEL

- Push buttons at maintained pressure on low voltage
- Push button at maintained pressure for the audible alarm
- Key switch "on/off"
- Personalized engraved lamicaid or stainless-steel plate
- Push button for option – Open door

LANDING CALL PANELS

- Call buttons at maintained pressure
- Key selector "on/off"
- Engraved lamicaid or stainless steel

Multichoice of push buttons and personalization of control panels

Telecommunication

- Handset phone with standard keyboard
- or auto-dialing hands-free intercom (Viking)

ELEVATOR SHAFT

- Pit: Depth of 6" (152 mm)
- Required overhang: 96" (2438 mm) over the top floor. Minimum of 85" (2159 mm) if limited space
- Anchor wall – Bearing wall: Wood, steel or concrete

DOORS

LANDING DOORS AND CABIN DOORS

- Landing doors and cabin: Swing type, single leaf
- Standard landing doors: Height 80" (2032 mm X Width 36" (914 mm)
- Possible widths: 32" (813 mm) to 42" (1067 mm)
- Multichoice of embossed models and variety of looking-through glasses
- Options: Solid core wood or 90-minute-fire-rated steel ULC

OPENING AND CLOSING MECHANISM

- Delayed action door closer
- or automatic door opener

DRIVE MACHINE

- Movement speed: Approximative movement speed of 30'/minute (0.12 m/second) to 50'/minute (0.25 m/second)

SECURITY

- Parachutes: Type A security brakes
- Emergency going down: Security devices anchored on the pumping unit and the lower floor allowing manual going down of the platform in case of emergency.
- Relief valve: Limits the system pressure at most 50% above the operating pressure avoiding incidents in case of overload in the device
- Landing lock: Electromechanics GAL Type N or **Option X-Tronics
- Security device on the doors avoiding the movement of the platform if a door is not properly closed or if the cabin is absent. The landing door remains locked if the device is in operation or the cabin is not on the floor.

See the product technical sheet for additional information.

HARMONIE EL-103V2 CABIN



TYPE 1 CONFIGURATION



TYPE 2 CONFIGURATION



TYPE 3 CONFIGURATION



LEFT HAND REVERSE DOOR



RIGHT HAND REVERSE DOOR



CONTROL STATION



TYPES OF PUSH BUTTONS

